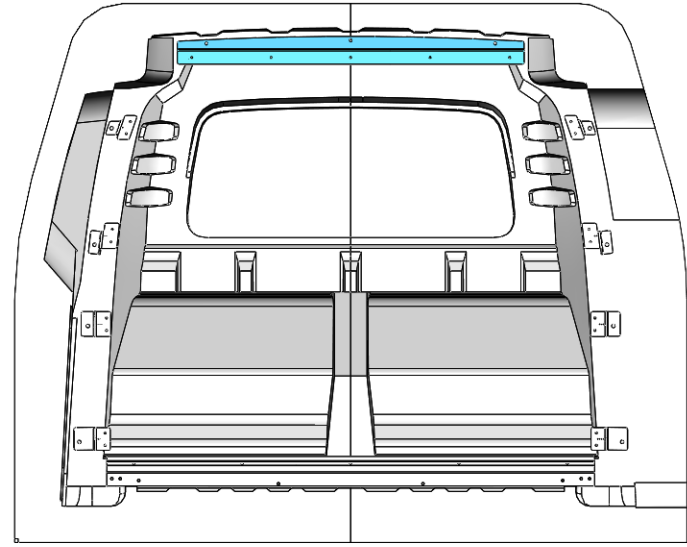
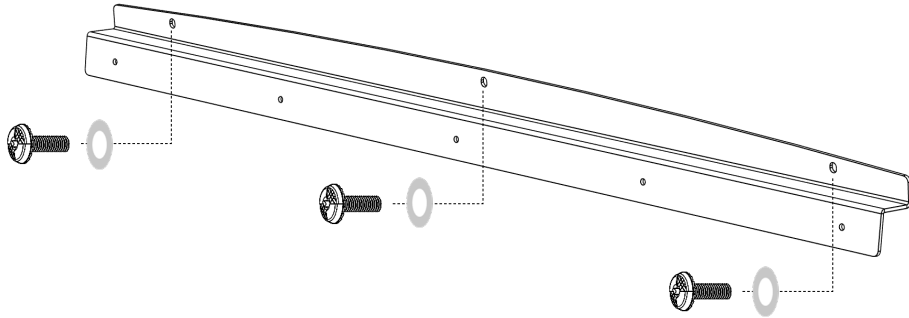
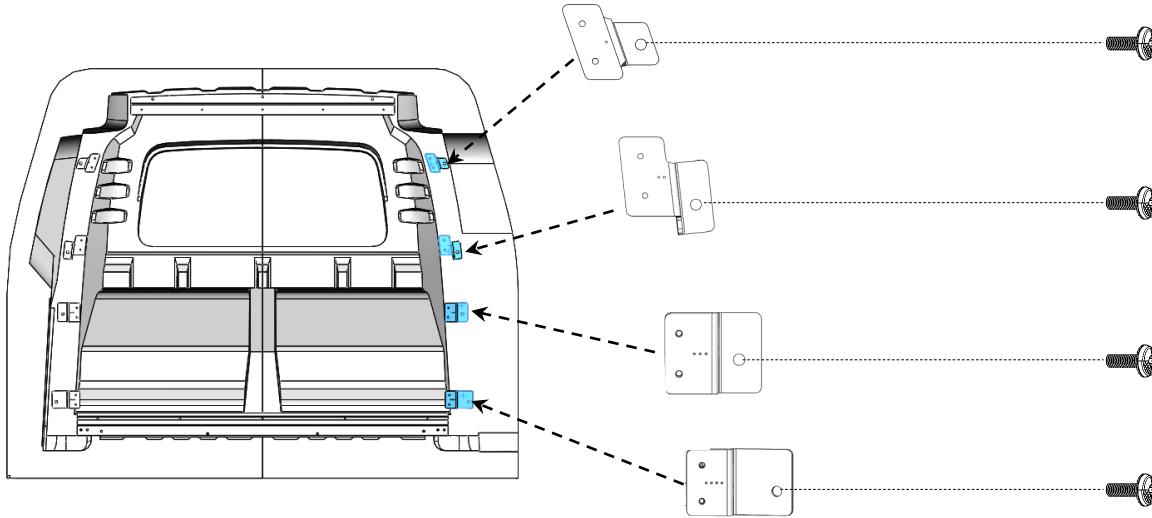


1

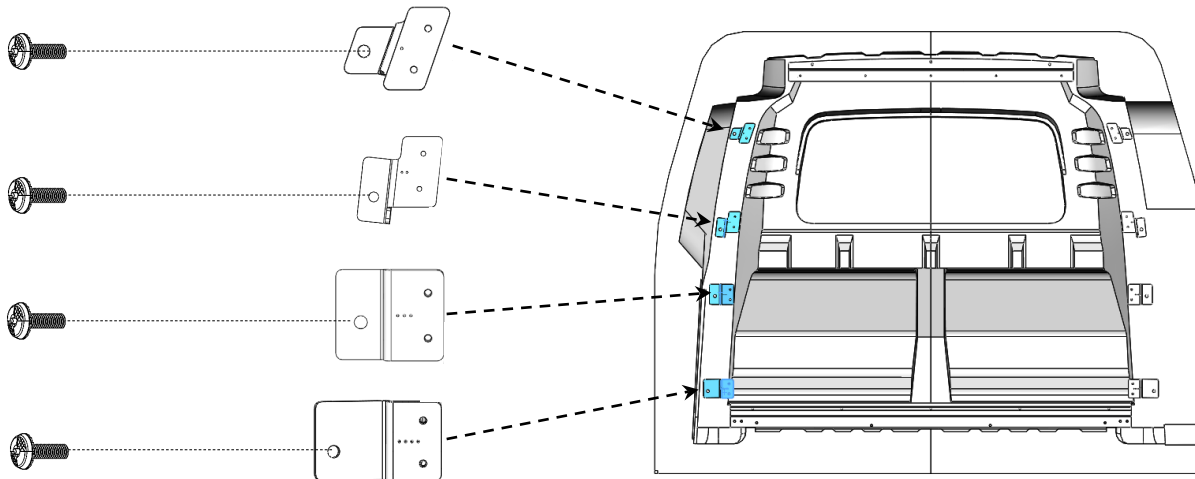


2



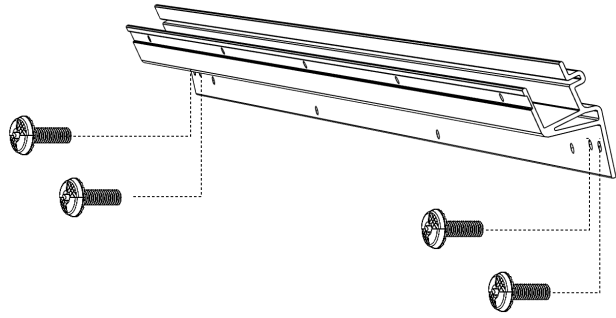
 4x M6x16  *Tighten loosely!*

3



 4x M6x16  *Tighten loosely!*

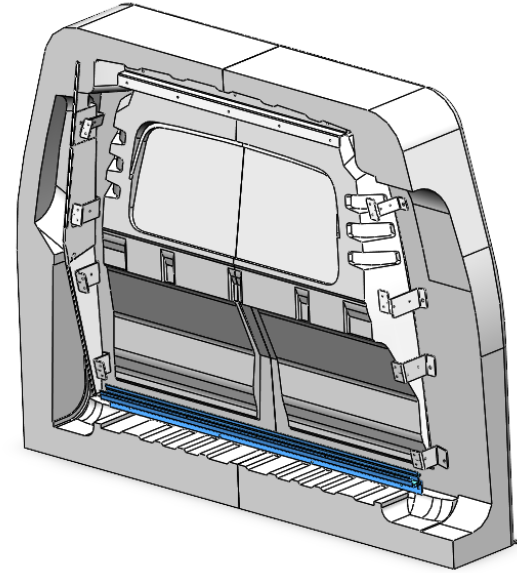
4



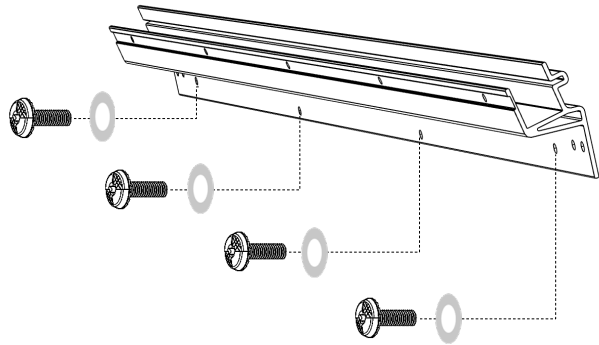





 Tighten
loosely!

4x M6x35



5

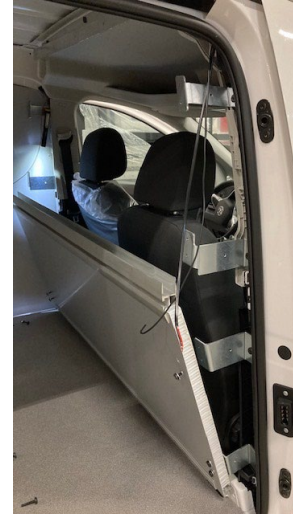
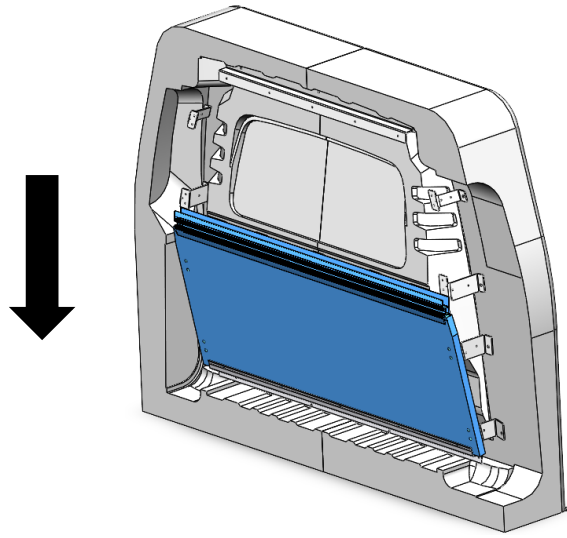





 Tighten
loosely!

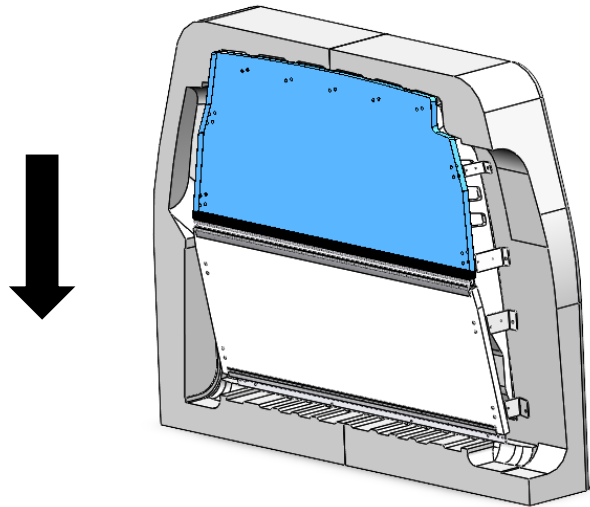
4x M6x16 4x



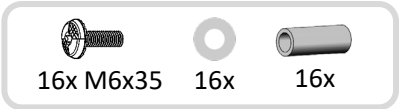
6



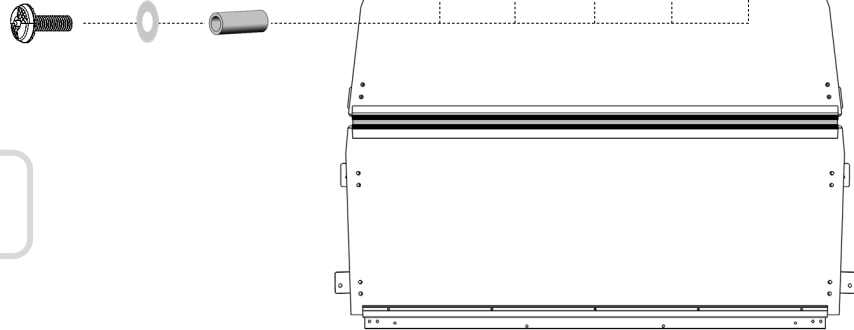
7



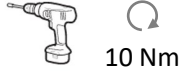
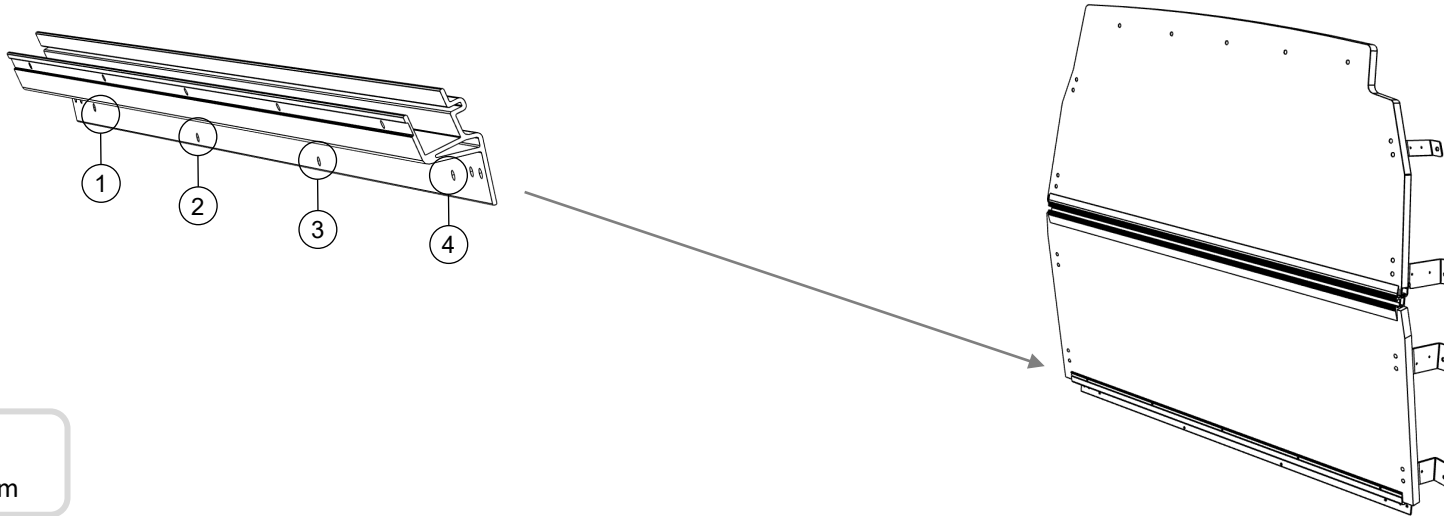
8



9

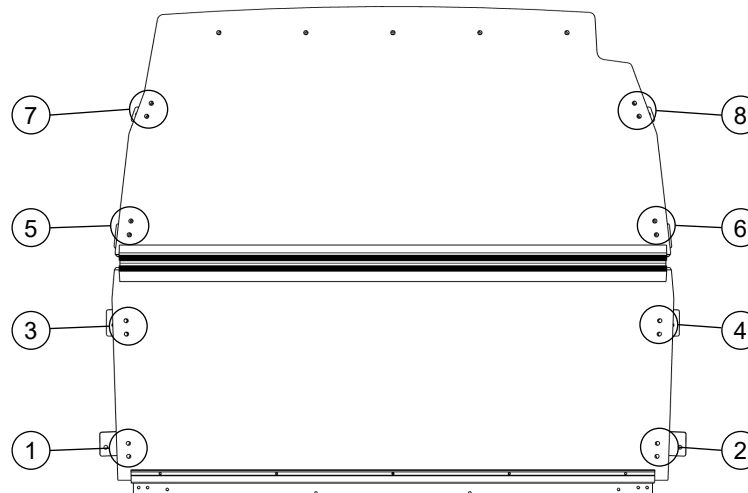


10

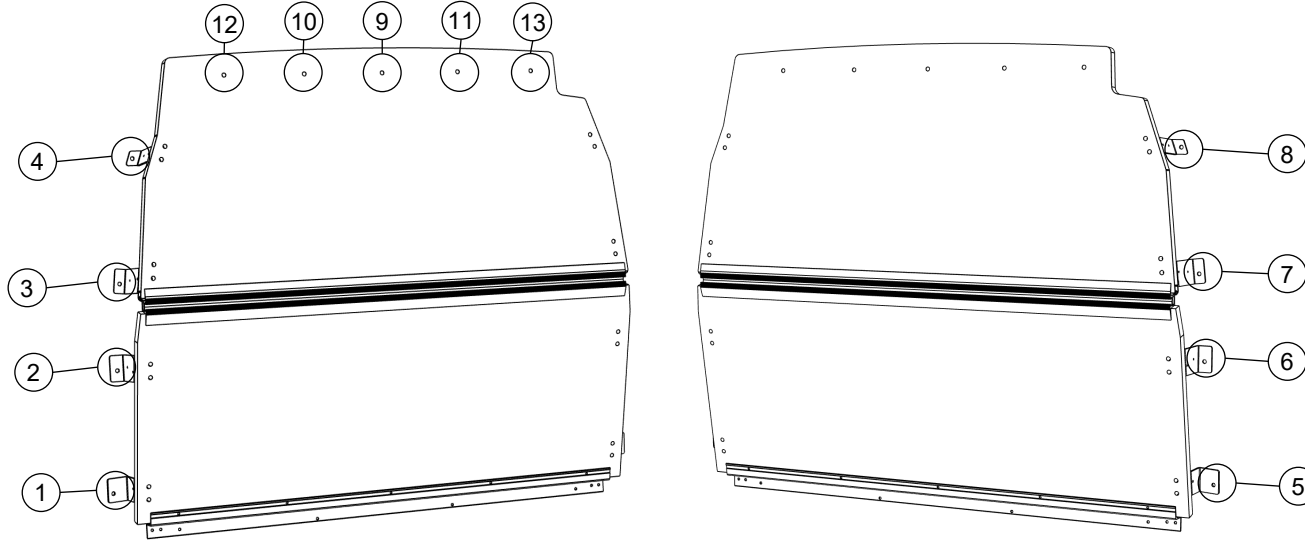


11

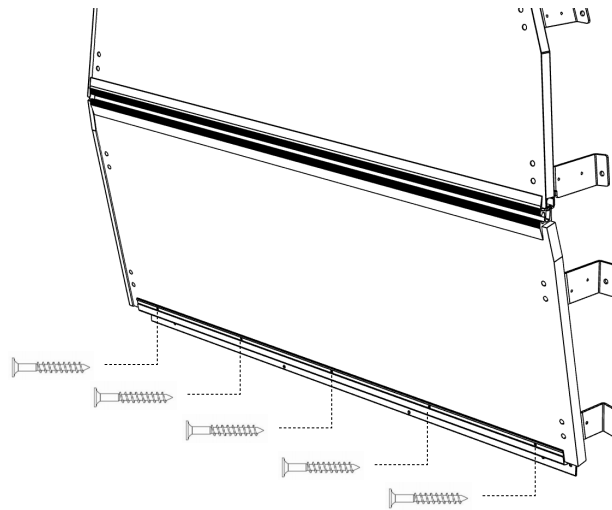
When tightening the bolts, start from the bottom and work your way up.



12

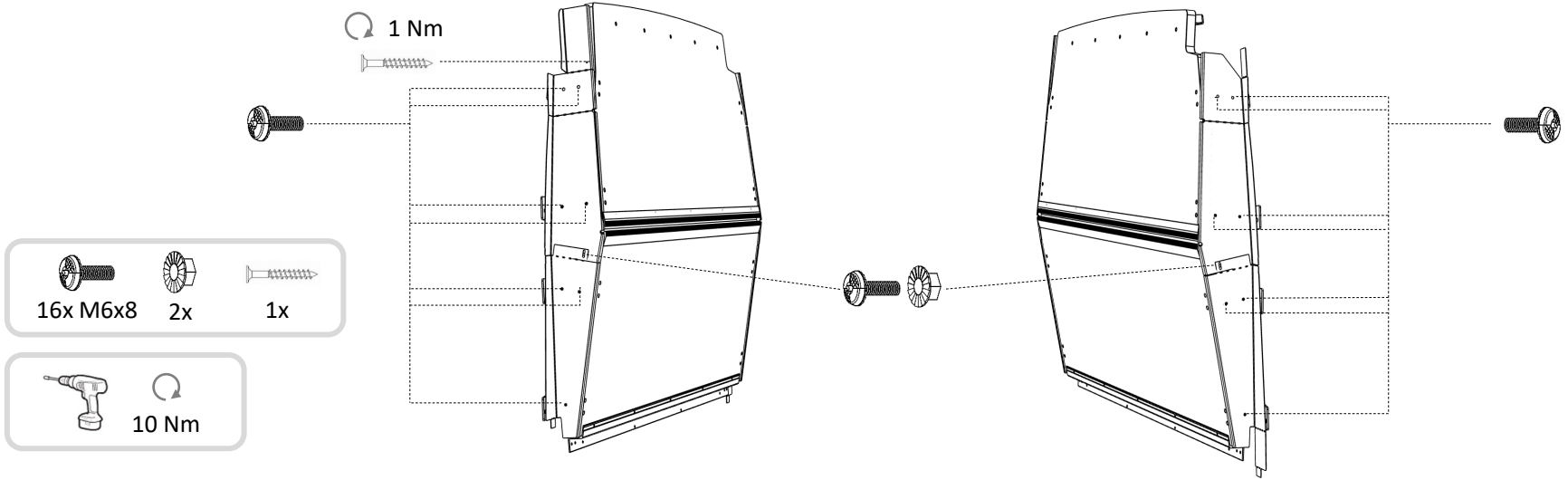


13



5 Nm

14



15

