

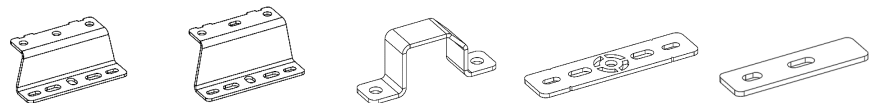
# Assembly instruction

Part Number: RR170135000

Description: Roof bar kit Custom 13-/23- & Transp. 25- H1, 3 bars



Revision date: 2025-03-21



2x 27205-03

4x 27210-03

6x 27200-03

6x 27290-03

6x 27281-03



12x M8x25



12x M8x16



12x M8

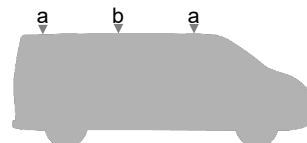


3x



1x

1



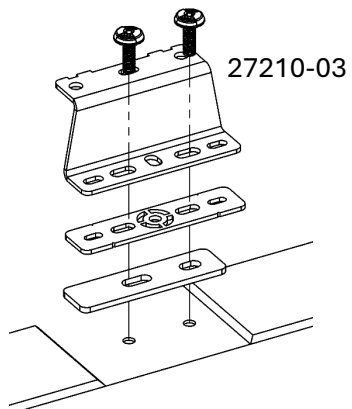
2a



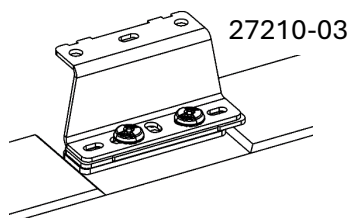
M8x25



20Nm

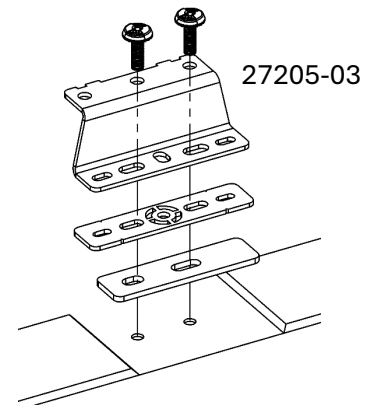


27210-03

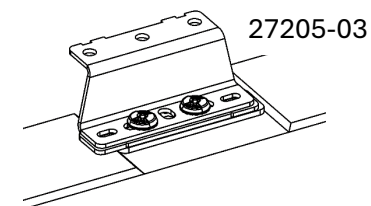


27210-03

2b



27205-03



27205-03

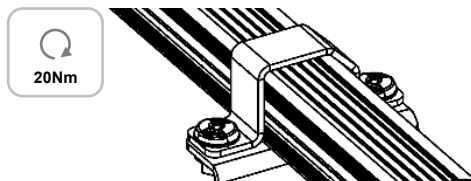
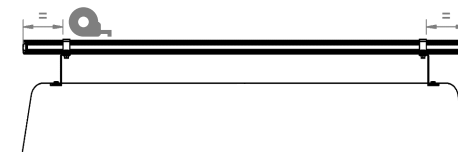
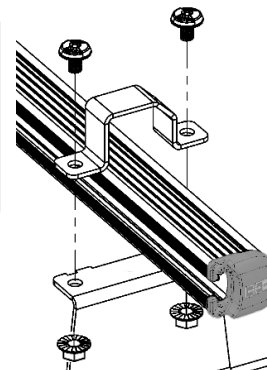
3



M8x16



M8



20Nm

